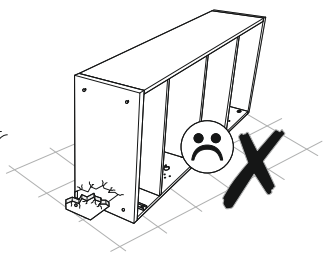
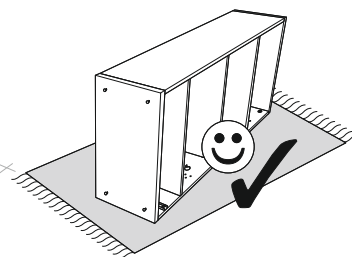
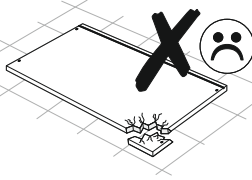
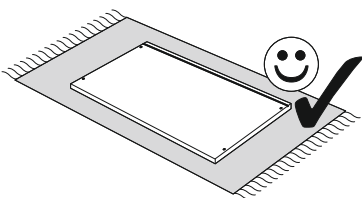
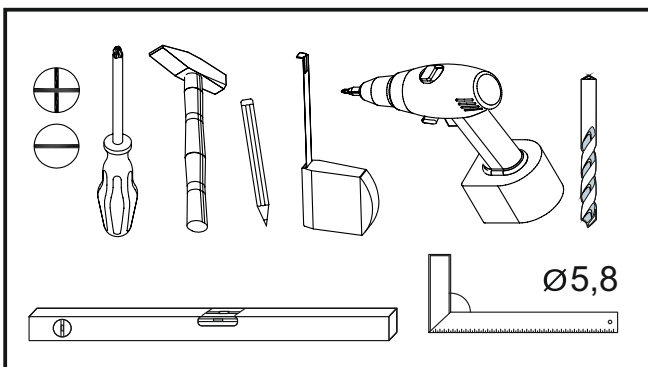
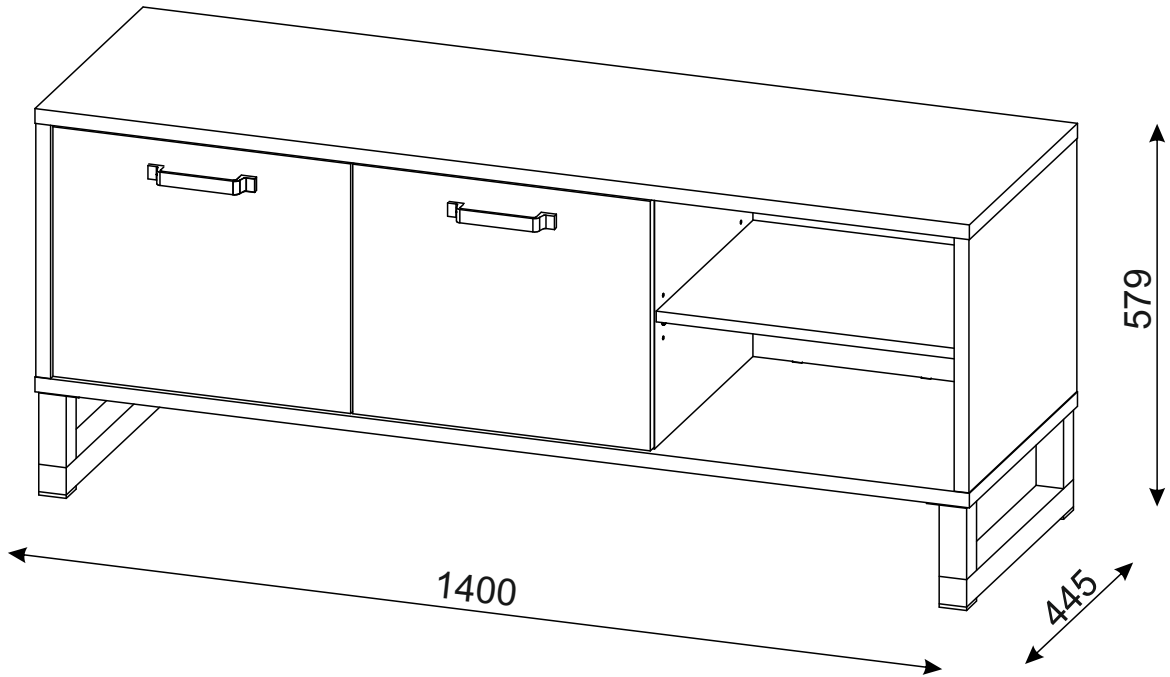
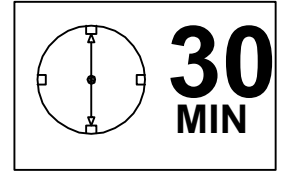
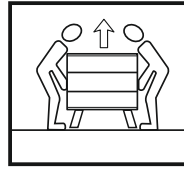
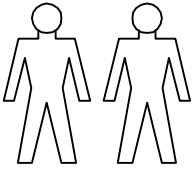








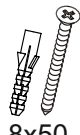


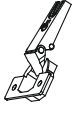

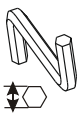
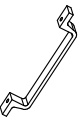



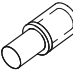
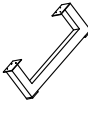
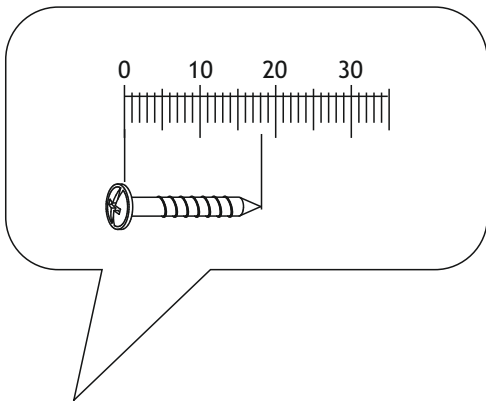


BARI TV stand 1400




BARI TV stand 1400

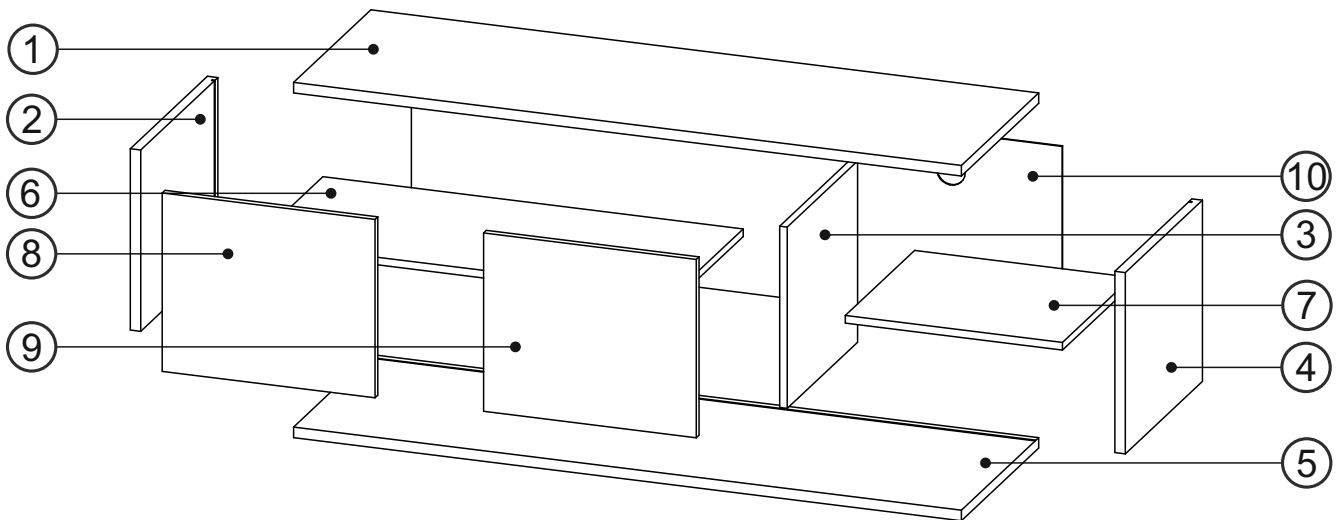
A0  ø8x30 x12	B2  ø7x70 x6	C0  x6	C2  x6	C7  16mm x6	D0  3x15 x14	D5  3,5x16 x20	D21  5x13 x1	E0  8x50 x1	J4  x2	J6  x4
J8  x2	H2  4x22 x4	K  4mm x1	L42  x2	M1  x14	P0  x1	Q3  x8	Q4  x2	T25  x2		




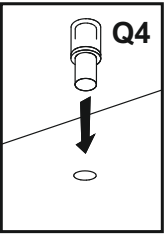


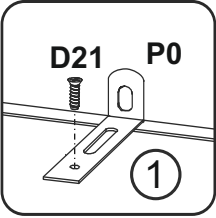



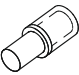
BARI TV stand 1400



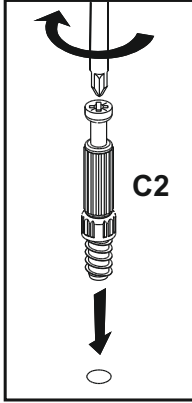
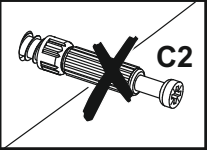
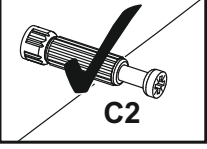
①	1400	445	22	x1	1/3
②	380	444	22	x1	1/3
③	380	405	16	x1	2/3
④	380	444	22	x1	1/3
⑤	1400	445	22	x1	1/3
⑥	881	399	16	x1	2/3

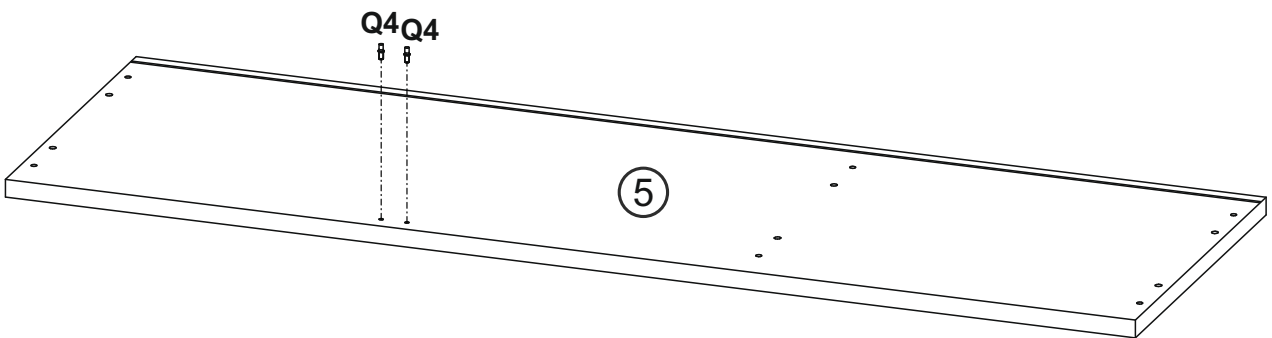
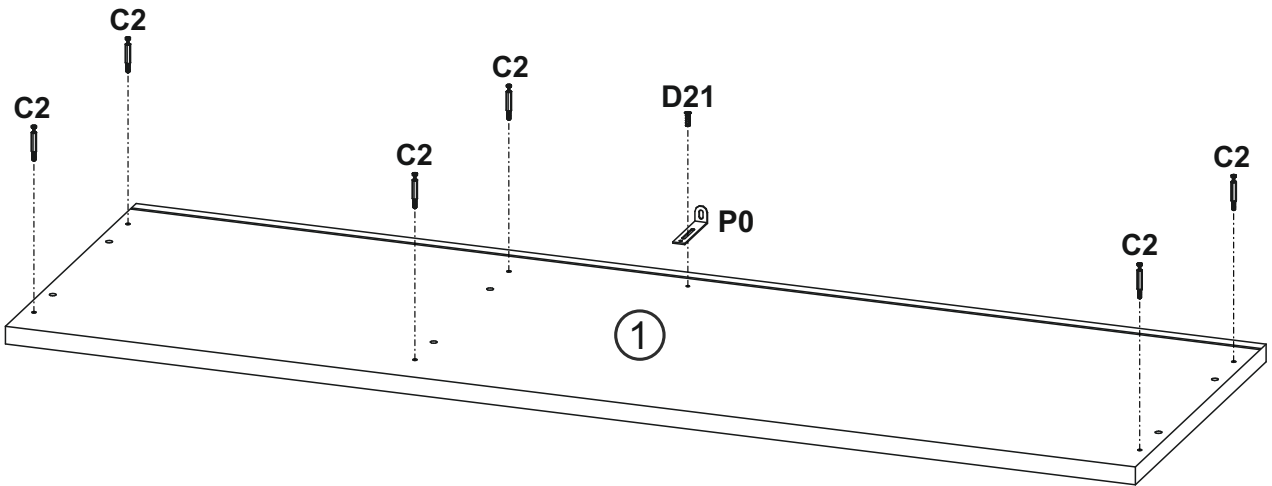
⑦	455	399	16	x1	2/3
⑧	374	446	16	x1	2/3
⑨	374	446	16	x1	2/3
⑩	1364	390	3	x1	1/3
					3/3



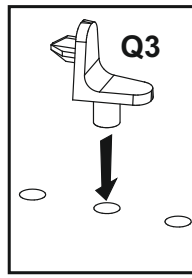
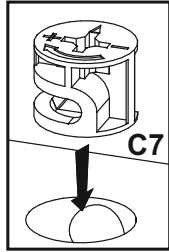
1

		 		 C2 x6	 5x13 D21 x1	 P0 x1	 Q4 x2
-----------------------------------------------------------------------------------	-----------------------------------------------------------------------------------	------------------------------------------------------------------------------------------------------------------------------------------------------------------------	-----------------------------------------------------------------------------------	---------------------------------------------------------------------------------------------------------------	------------------------------------------------------------------------------------------------------------------------	---------------------------------------------------------------------------------------------------------------	---------------------------------------------------------------------------------------------------------------

 		 C2	 C2
--------------------------------------------------------------------------------------------------------------------------------------------------------------------------	-------------------------------------------------------------------------------------	--------------------------------------------------------------------------------------------------	--------------------------------------------------------------------------------------------------



2

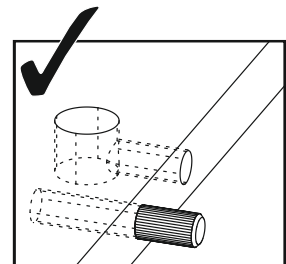
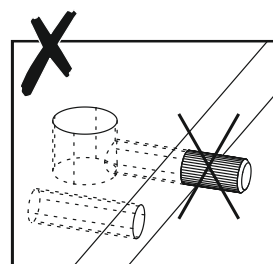
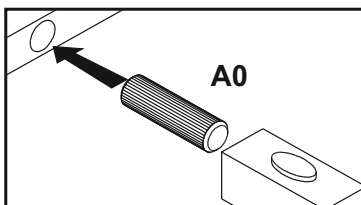
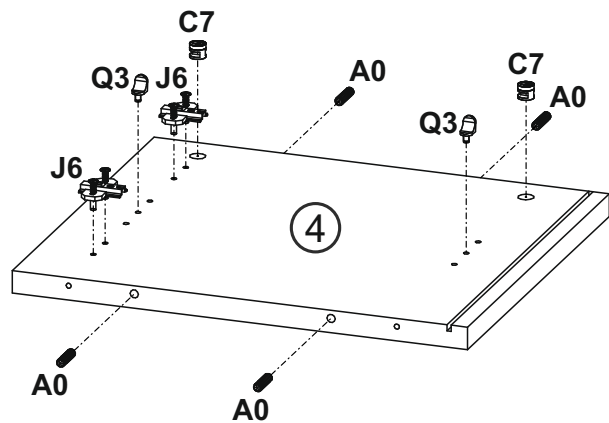
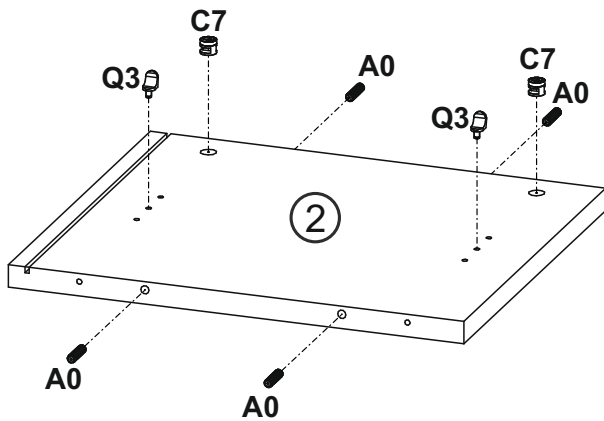
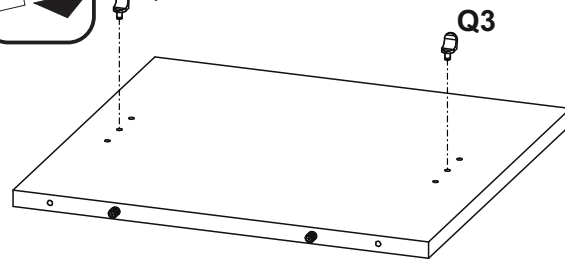
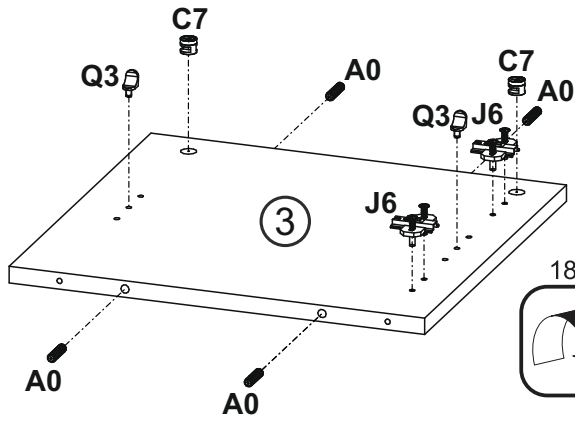
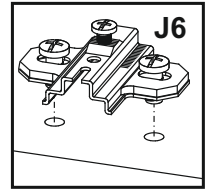
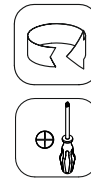


A0
∅8x30
x12

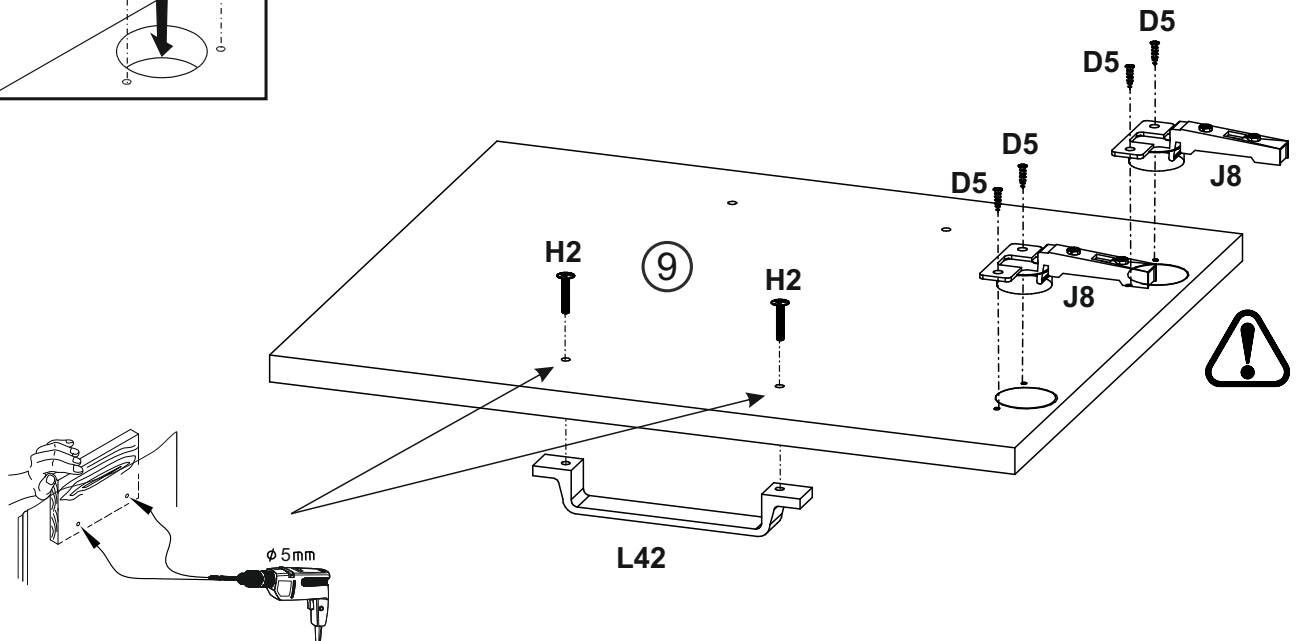
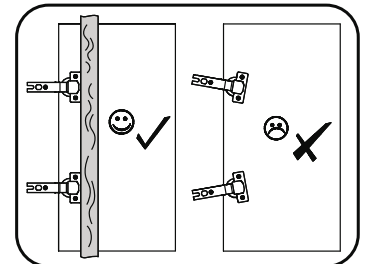
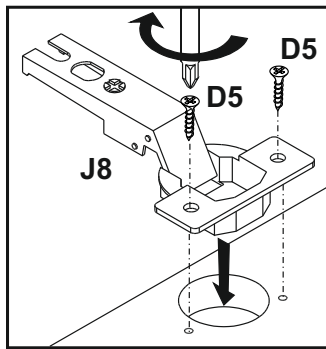
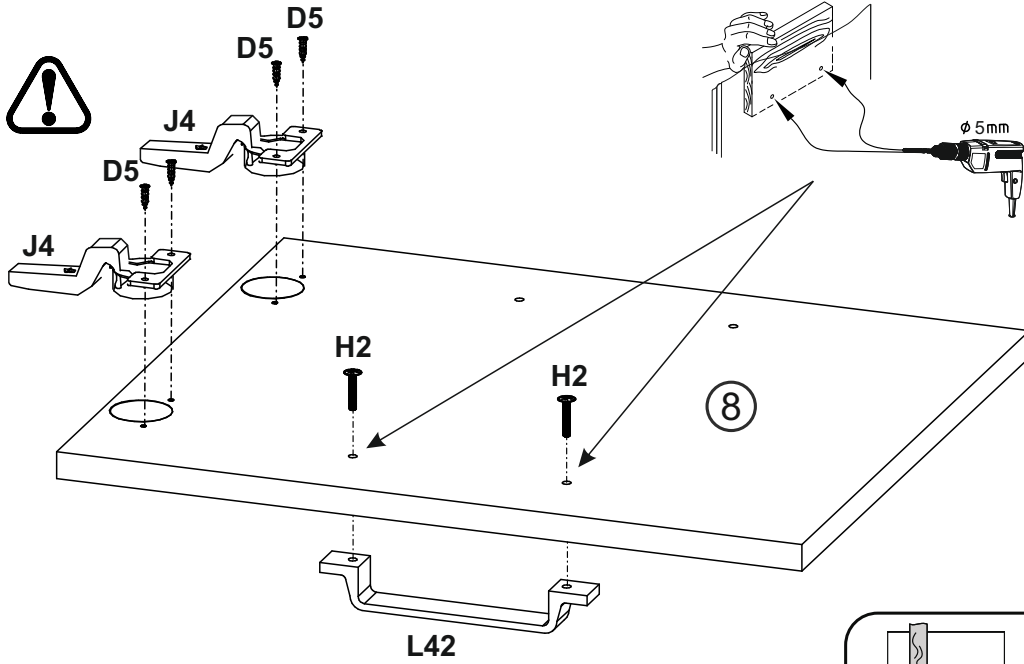
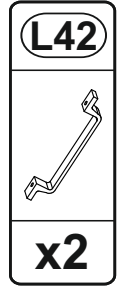
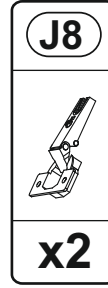
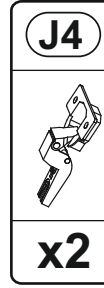
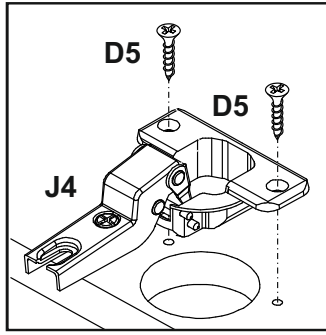
C7
16mm
x6

J6
x4

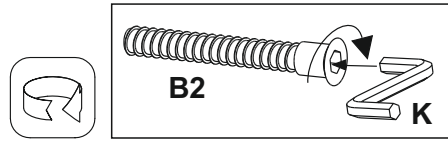
Q3
x8



3




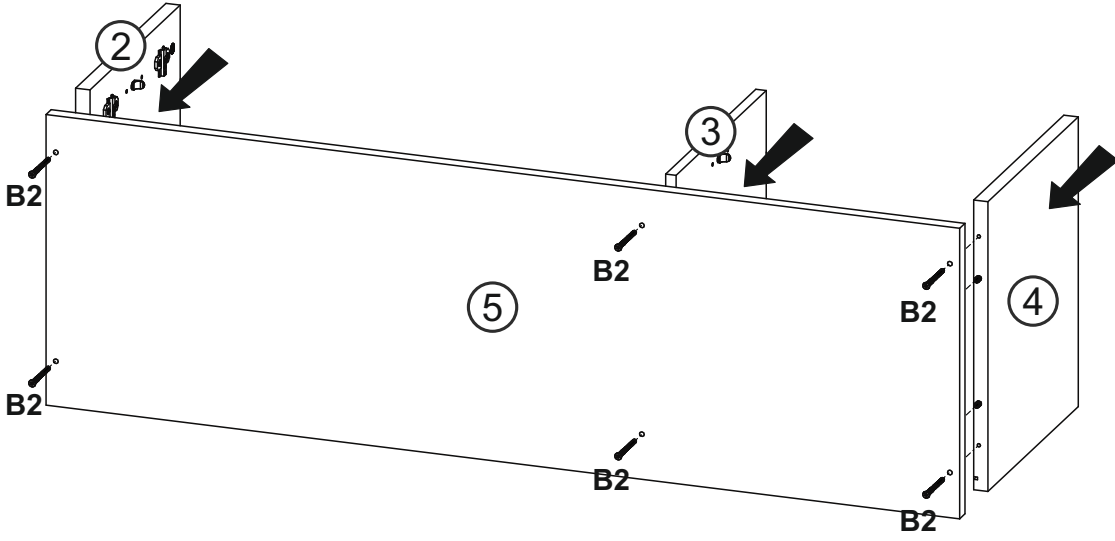
4



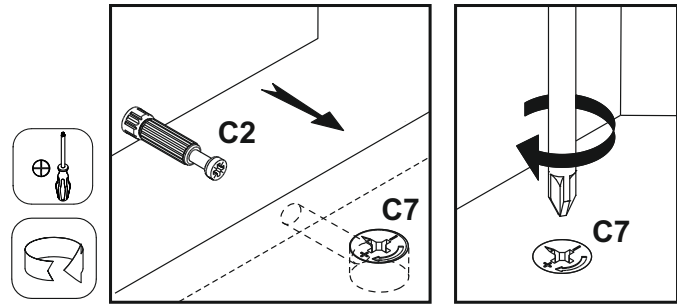
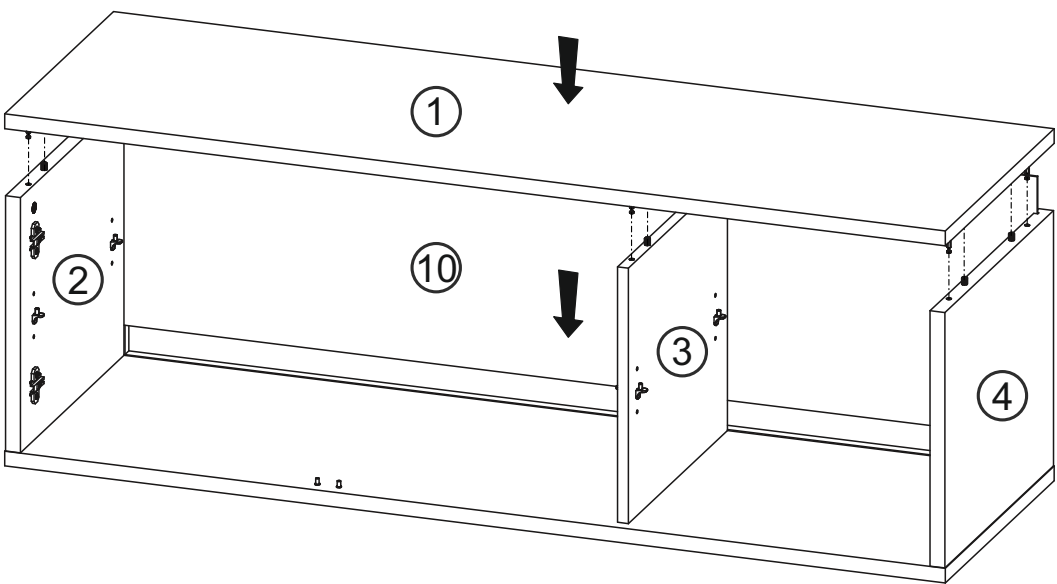
B2

Ø7x70
x6



K

4mm
x1

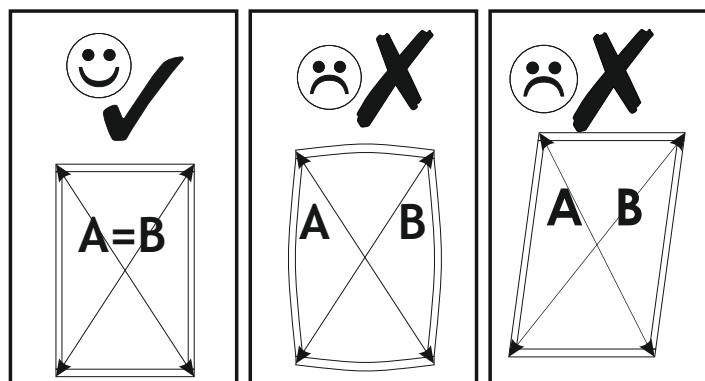
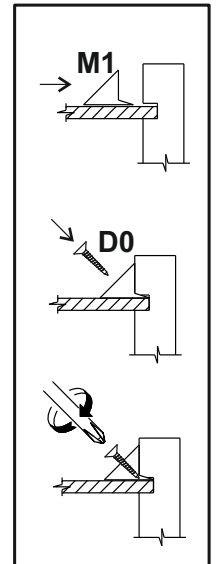
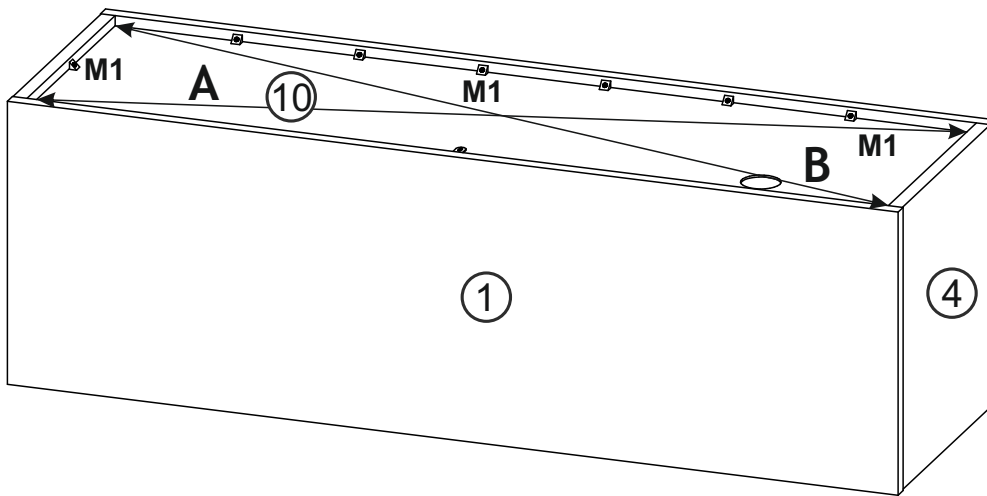


5


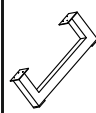


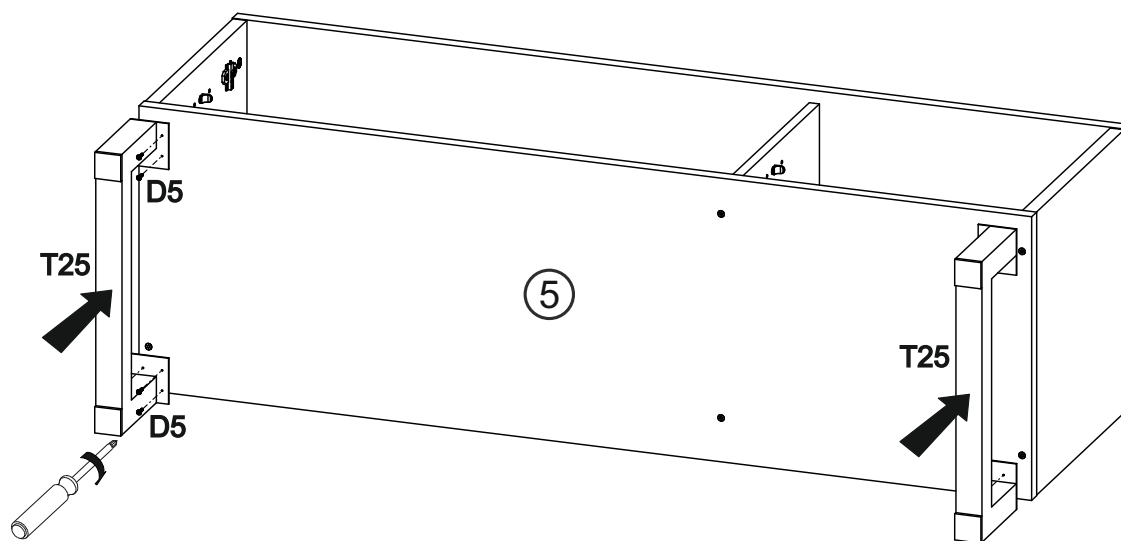
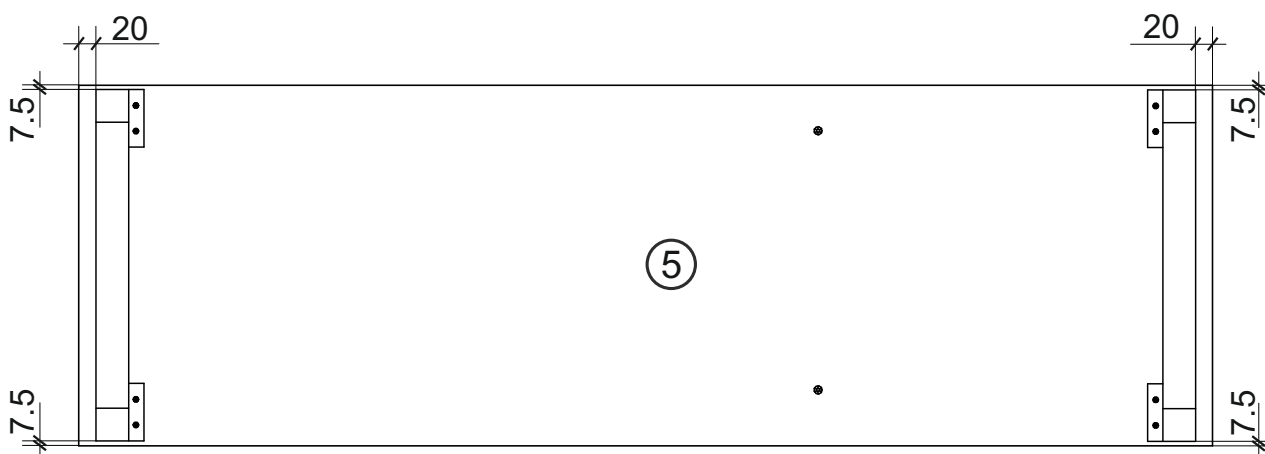
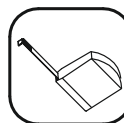
6

D0	M1
	
3x15	
x14	x14

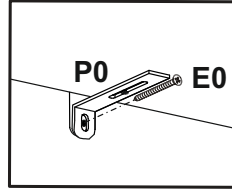
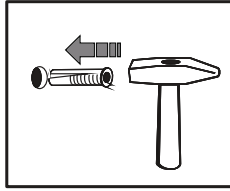
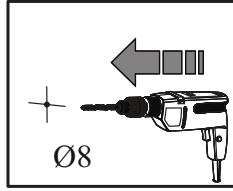
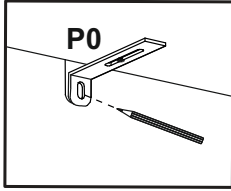


7

D5	T25
	
3,5x16	
x12	x2



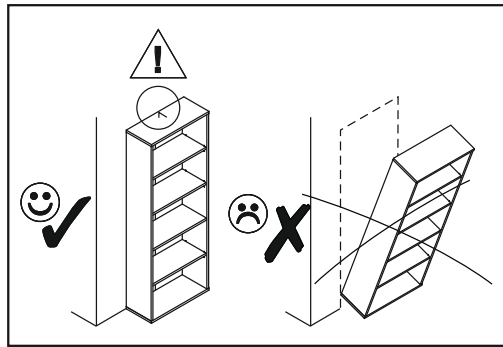
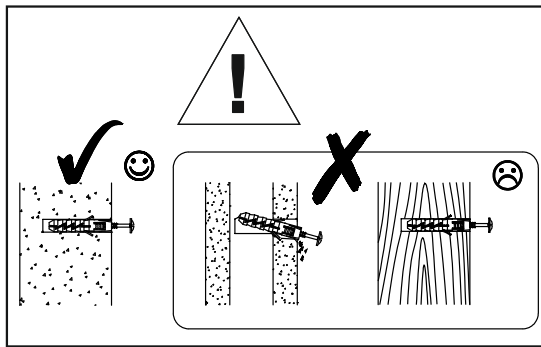
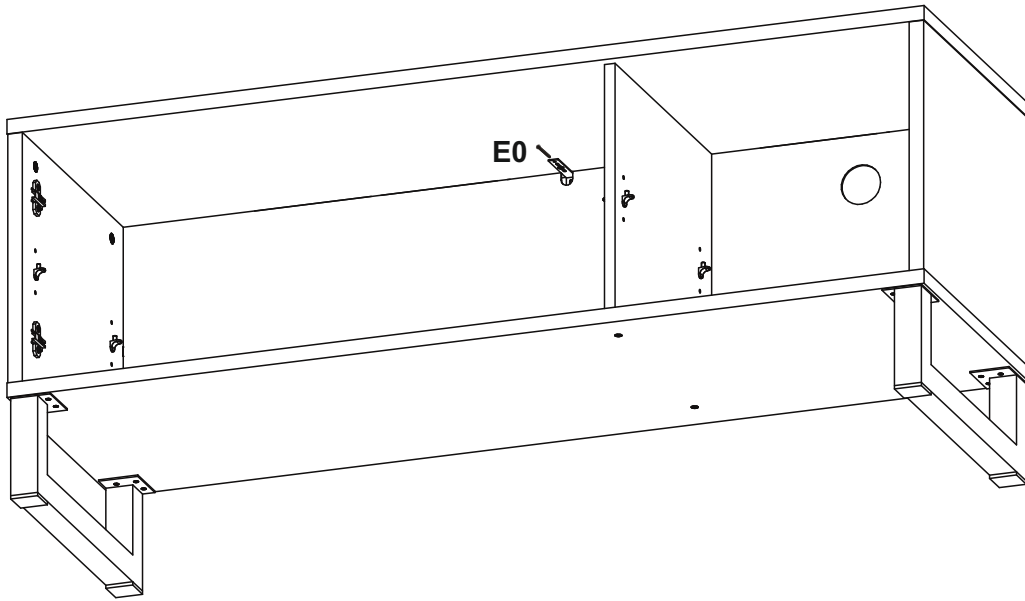
8



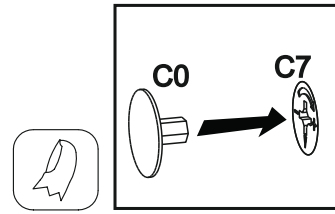
E0

8x50

x1

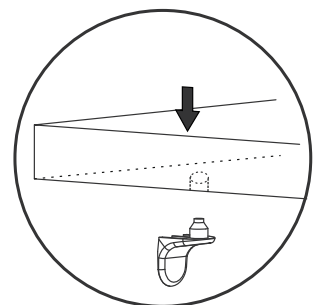
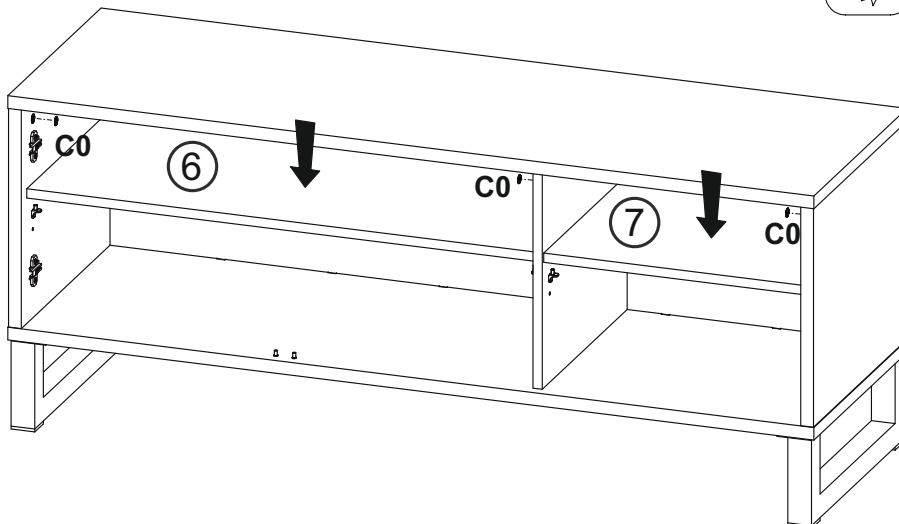


9



C0

x6



10

